

20mm

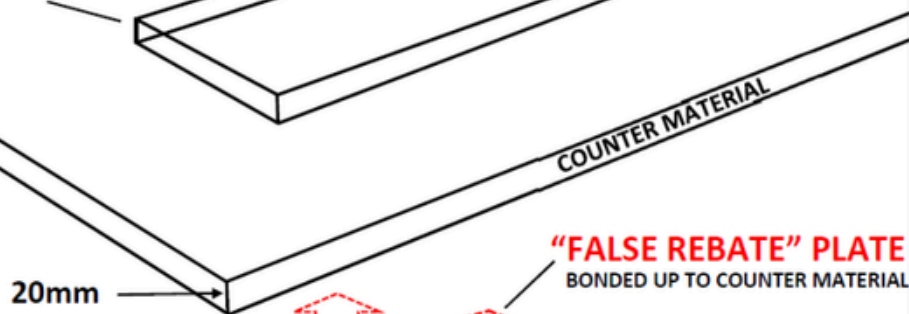
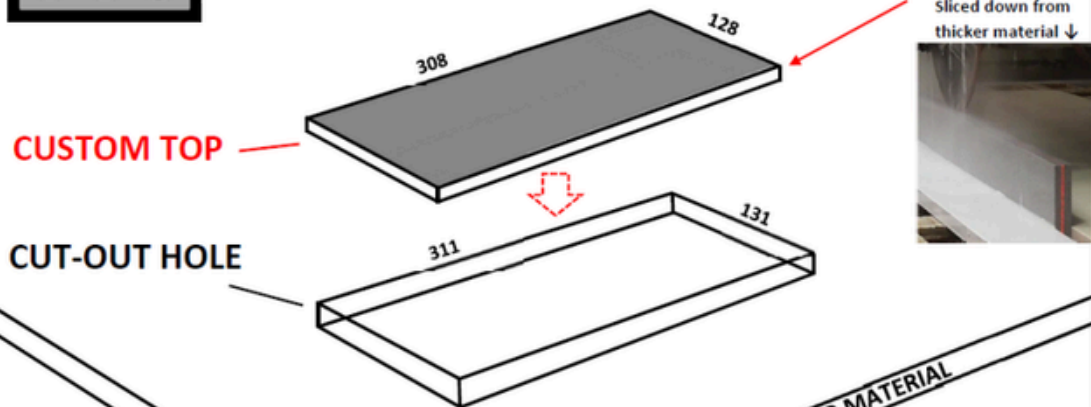
"FALSE REBATE" FOR INSTALLING AN S-BOX™ CHAMELEON UNIT IN 20mm QUARTZ COUNTER-TOP

KEY DIMENSIONS

Suggested radius for Cut-out Hole - 12mm.
Radius for Custom Top should be 1.5mm less.



3-PORT

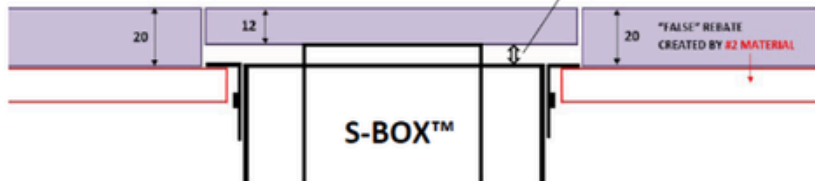


This hole could be cut into the top of a cabinet if that is where the unit is to go, and the underside of the worktop is flat to the cabinet

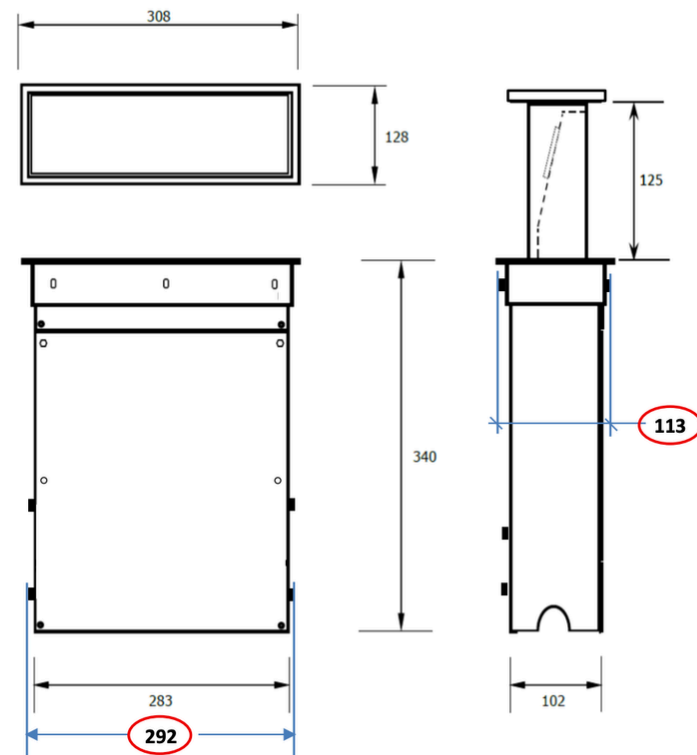
PRESS-DOWN "CLICK" ACTION

"FALSE" REBATE CREATED BY #2 MATERIAL

THRU VIEW



structure



3-PORT

Rebate dims to accommodate insertion of structure

