

20mm

structure

"FALSE REBATE" FOR INSTALLING AN S-BOX™ CHAMELEON UNIT IN 20mm QUARTZ COUNTER-TOP.

Suggested radius for Cut-out Hole - 12mm.
Radius for Custom Top should be 1.5mm less.



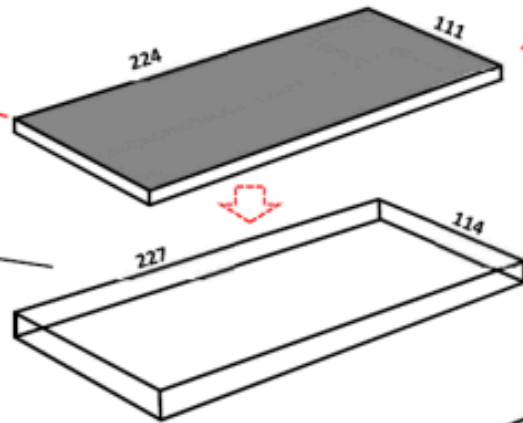
2-PORT MINI

KEY DIMENSIONS



CUSTOM TOP

CUT-OUT HOLE



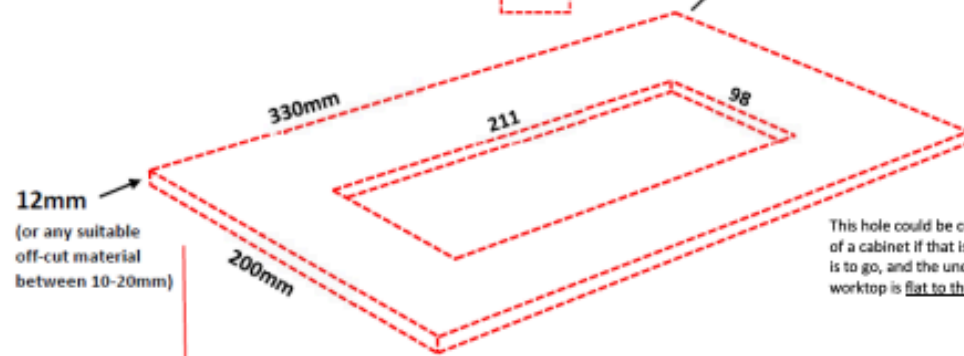
10-12mm (MAX)
Sliced down from thicker material ↓



COUNTER MATERIAL

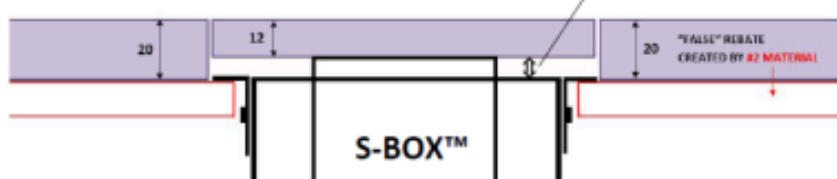
20mm

"FALSE REBATE" PLATE
BONDED UP TO COUNTER MATERIAL



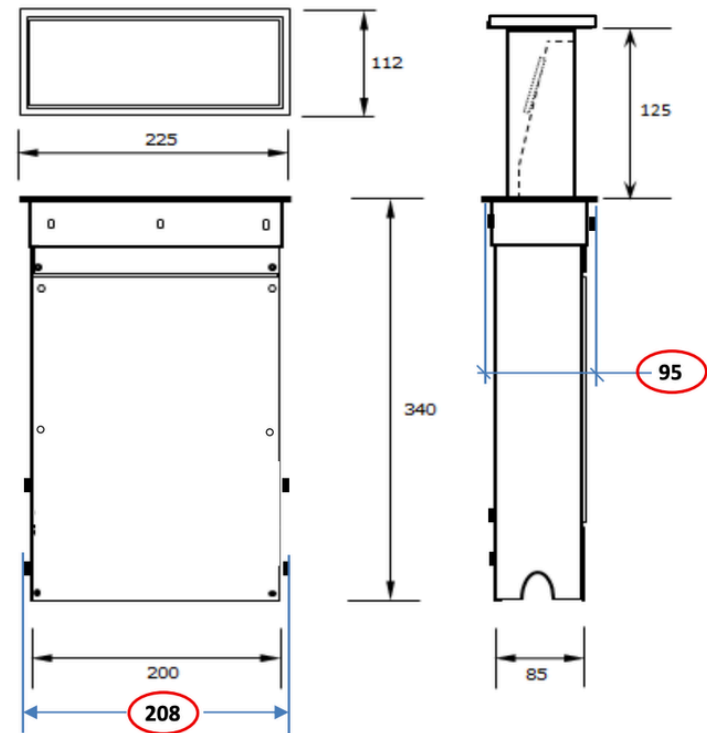
This hole could be cut into the top of a cabinet if that is where the unit is to go, and the underside of the worktop is flat to the cabinet.

PRESS-DOWN "CLICK" ACTION



THRU VIEW

S-BOX™



2-PORT (MINI)

Rebate dims to accommodate insertion of structure

